

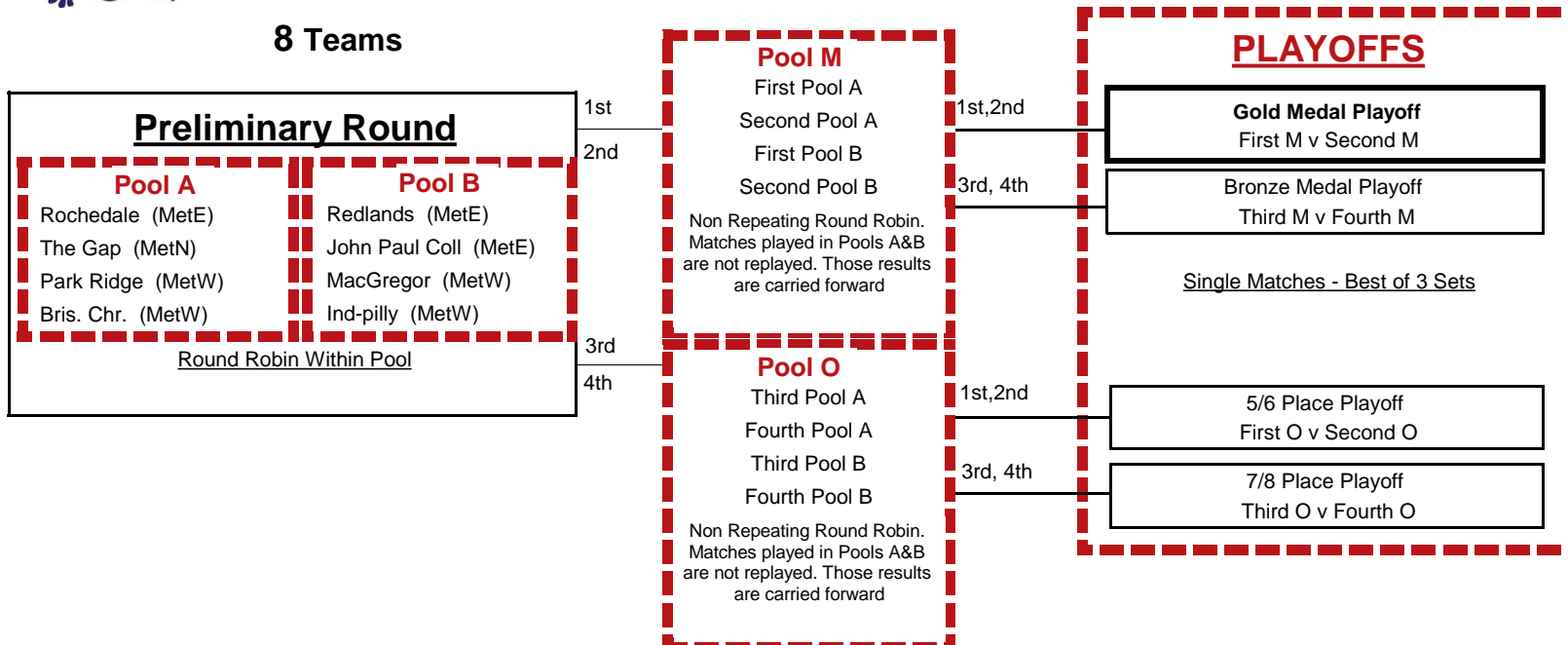


2024 Queensland Junnior Schools Cup



Year 8 Girls Div 2 Blue

8 Teams





2024 Queensland Junnior Schools Cup

Year 8 Girls Div 2 Blue



Time	Id	Pool	Friday	(Duty)
<u>Calamvale Ct. 1</u>				
10:00	A9	Pool A	Rochedale vs. Bris. Chr.	(Park Ridge)
11:15	A10	Pool A	The Gap vs. Park Ridge	(Rochedale)
13:30	A5	Pool A	Rochedale vs. The Gap	(Bris. Chr.)
14:45	A6	Pool A	Park Ridge vs. Bris. Chr.	(The Gap)
<u>Calamvale Ct. 2</u>				
10:00	A11	Pool B	Redlands vs. Ind-pilly	(MacGregor)
11:15	A12	Pool B	John Paul Coll vs. MacGregor	(Redlands)
13:30	A7	Pool B	Redlands vs. John Paul Coll	(Ind-pilly)
14:45	A8	Pool B	MacGregor vs. Ind-pilly	(John Paul Coll)

Time	Id	Pool	Saturday	(Duty)
<u>AB Paterson Ct. 1</u>				
9:00	A2	Pool A	The Gap vs. Bris. Chr.	(Rochedale)
10:15	A1	Pool A	Rochedale vs. Park Ridge	(Bris. Chr.)
13:50	A13	Pool O	Third Pool A vs. Third Pool B	(Diff. Div.)
15:00	A16	Pool M	Second Pool A vs. Second Pool B	(Third Pool B)
16:10	A17	Pool O	Third Pool A vs. Fourth Pool B	(Second Pool B)
17:20	J16		Different Division	(Third Pool A)
<u>AB Paterson Ct. 2</u>				
9:00	A4	Pool B	John Paul Coll vs. Ind-pilly	(Redlands)
10:15	A3	Pool B	Redlands vs. MacGregor	(Ind-pilly)
13:50	A14	Pool O	Fourth Pool A vs. Fourth Pool B	(Diff. Div.)
15:00	A15	Pool M	First Pool A vs. First Pool B	(Diff. Div.)
17:30	J15		Different Division	(Fourth Pool B)

Time	Id	Pool	Sunday	(Duty)
<u>AB Paterson Ct. 1</u>				
8:00	A19	Pool M	First Pool A vs. Second Pool B	(First Pool B)
9:15	A20	Pool M	Second Pool A vs. First Pool B	(First Pool A)
10:25	J20		Different Division	(Second Pool A)
11:35	A21	7/8 Place	Third Pool O vs. Fourth Pool O	(Diff. Div.)
12:45	J21		Different Division	(Loser A21)
13:55	A23	Bronze Medal	Third Pool M vs. Fourth Pool M	(Diff. Div.)
15:05	A24	Gold Medal	First Pool M vs. Second Pool M	(Winner A23)
<u>AB Paterson Ct. 2</u>				
8:00	A18	Pool O	Fourth Pool A vs. Third Pool B	(Diff. Div.)
9:15	J18		Different Division	(Fourth Pool A)
11:35	A22	5/6 Place	First Pool O vs. Second Pool O	(Diff. Div.)
12:45	J22		Different Division	(Loser A22)